

# TORR

INDUSTRIES

# 130

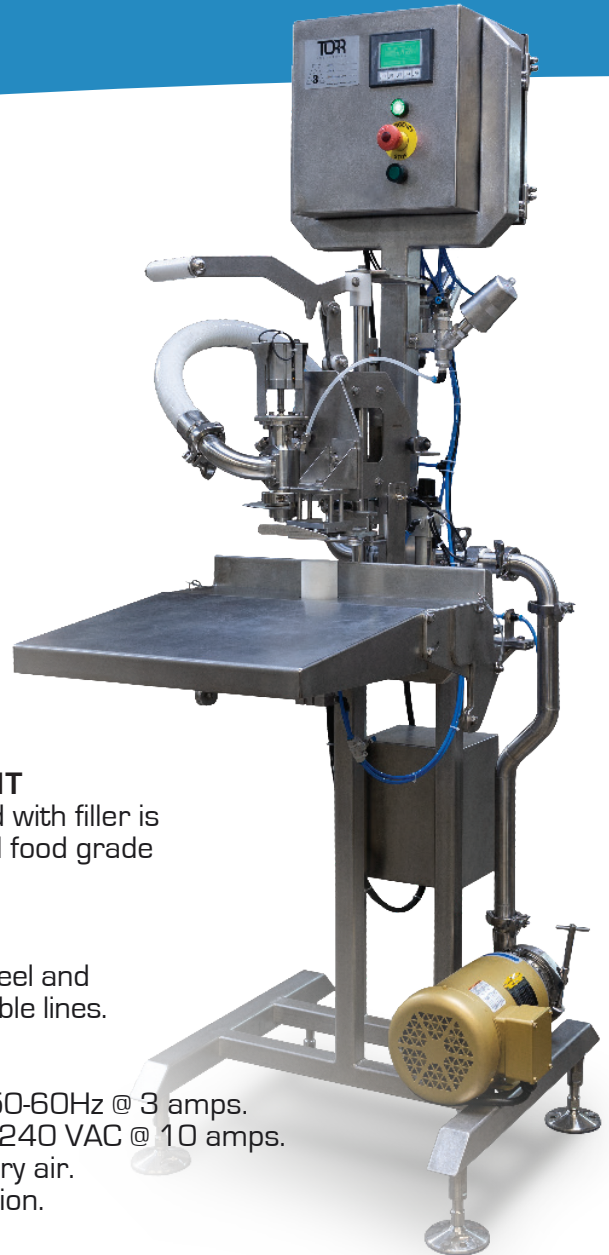
## SEMI-AUTOMATIC BAG & POUCH FILLER

The TORR 130 filler, designed and certified to Sanitary Standards, is an economical solution for accurate filling of bags and pouches from 0.75 to 20 liter capacity.

Standard model includes turbine flowmeter, touch panel and PLC allowing for maximum efficiency.

The filler is automatic except for the movement between the fill cap positions which is performed by the operator using a lever.

Shipping Weight: 250 lb



### PRODUCT MEASUREMENT

1" turbine flowmeter included with filler is constructed of FDA approved food grade acetyl plastic.

### CONTACT SURFACES

All piping is 316L Stainless Steel and 3A approved plastics and flexible lines.

### UTILITIES

Power Standard - 110 VAC 50-60Hz @ 3 amps.

Power with Optional Pump - 240 VAC @ 10 amps.

Air - 90 PSI @ 2 CFM clean, dry air.

Nitrogen - Available as an option.

### PERFORMANCE

Bags per minute. 1.5 liter: 3-4 BPM; 3 liter: 2-4 BPM; 10 liter: 2-3 BPM.  
(Filler is shown with optional product pump)

### OPERATOR INTERFACE

Touch screen functions are auto mode, manual, CIP operation, batch counting and fill volume adjustment.

See it in action at

[www.torrindustries.com/130](http://www.torrindustries.com/130)



For a quote or more info please contact:

**Chris Rutter**

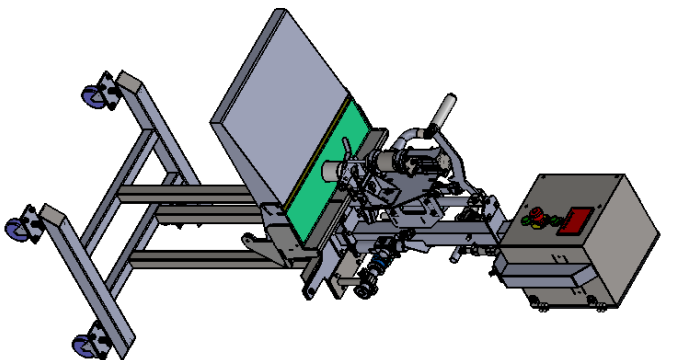
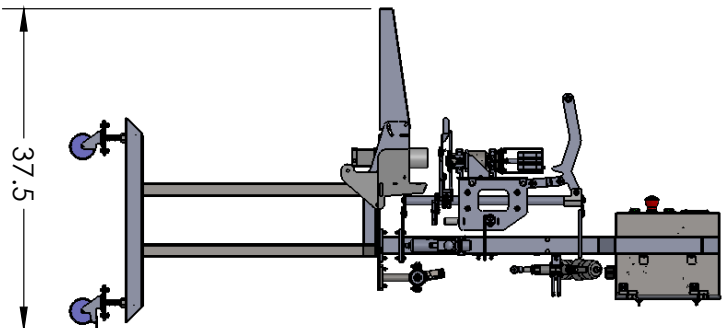
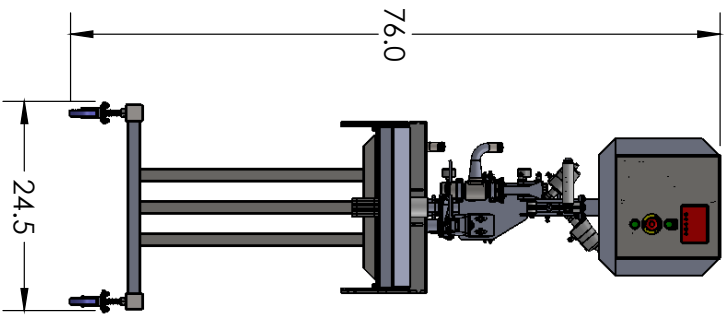
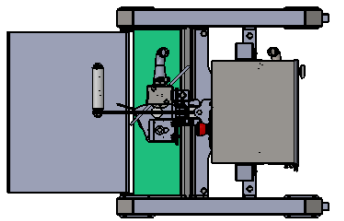
TORR Industries, Inc  
chrisr@torrindustries.com  
530.247.6909

Offices in:

Melbourne, Australia  
Birmingham, UK  
California, USA

# 130

## SEMI-AUTOMATIC BAG & POUCH FILLER



PROPRIETARY AND CONFIDENTIAL  
THE INFORMATION CONTAINED IN THIS  
DRAWING IS THE SOLE PROPERTY OF  
TORR INDUSTRIES. ANY REPRODUCTION  
IN PART OR AS A WHOLE WITHOUT THE  
WRITTEN PERMISSION OF TORR INDUSTRIES  
IS PROHIBITED. PROTECTED BY SEVERAL  
PATENTS PENDING AND ISSUED.

TOLERANCE:  
XX ± .01  
XXX ± .005  
XXXX ± —  
ANGLE ± .50 DEG  
SURFACE √ .63 RMS

|         |      |         |
|---------|------|---------|
| DRAWN   | NAME | DATE    |
| CHECKED | JB   | 4/26/21 |

MATERIAL:  
FINISH:  
DO NOT SCALE DRAWING

COMMENTS:

|             |                 |              |
|-------------|-----------------|--------------|
| SIZE        | DWG. NO.        | REV          |
| A           | 130 Filler Assy |              |
| SCALE: 1:20 | WEIGHT:         | SHEET 1 OF 1 |

**TORR Industries**  
TITLE:  
130 FILLER ASSY

5

4

3

2

1

For a quote or more info please contact:

Chris Rutter  
TORR Industries, Inc  
chrisr@torrindustries.com  
530.247.6909

Offices in:  
Melbourne, Australia  
Birmingham, UK  
California, USA

**TORR**  
INDUSTRIES