

# 140W

## AUTOMATIC BAG FILLER

140W Filler combines proven, robust and dependable mechanical design with precision automation.

The bags are fed into the filler automatically from a web or perforated ribbon of bags.

The empty bag is indexed automatically into the fill chamber. The bags are filled automatically while still on the web.

The machine automatically indexes the filled bag out to the operator.



### PRODUCT MEASUREMENT

1" turbine flow meter is standard,  $\pm 0.5\%$  accuracy by volume. The turbine flow meter is made of FDA approved food grade acetyl plastic.

### PRODUCT CONTACT SURFACES

All piping is 316L Stainless Steel, 3A approved plastics & flexible lines.

### POWER

110 VAC 50-60Hz @ 3 amps. Air -90 PSI @ 2 CFM clean & dry. Nitrogen Available as an option.

**CONTROLS & OPERATOR INTERFACE:** Allen Bradley PLC and PV touch screen. Auto mode, manual, CIP operation, batch counting, and fill volume adjustment.



See it in action at

[www.torrindustries.com/140w](http://www.torrindustries.com/140w)



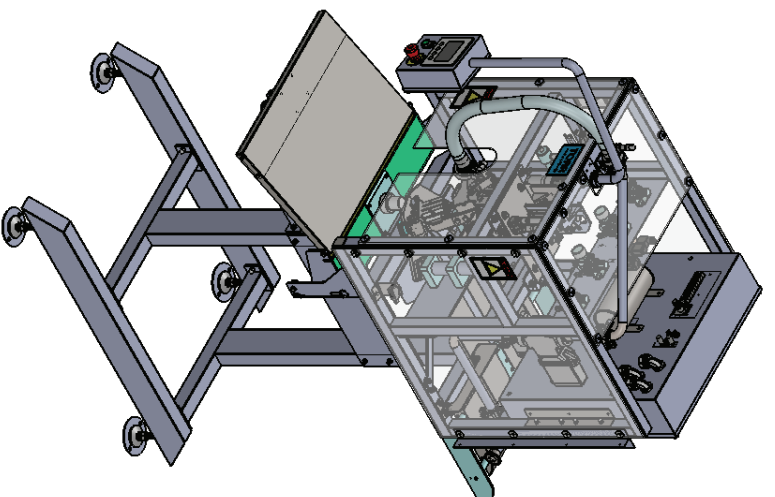
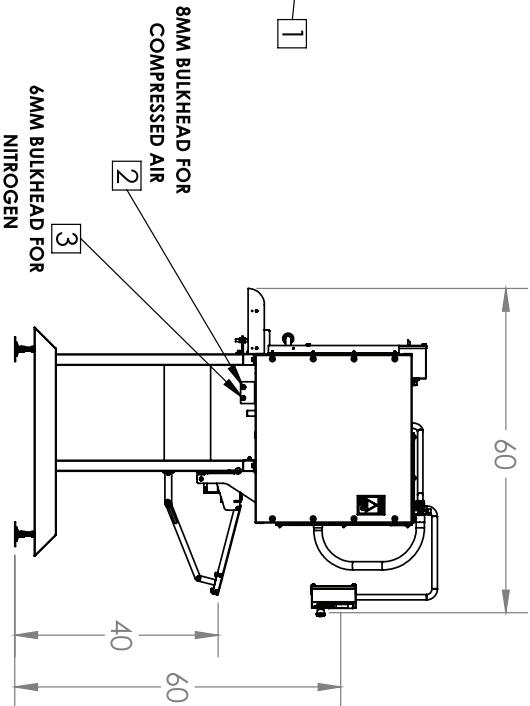
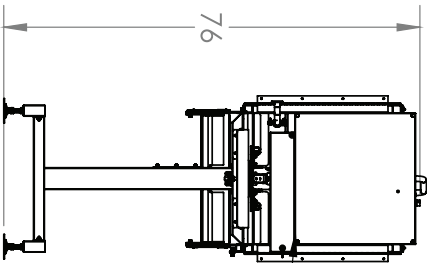
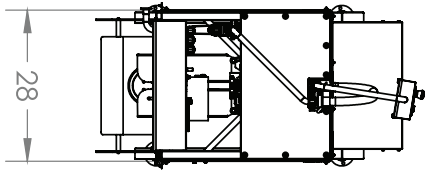
For a quote or more info please contact:

**Chris Rutter**  
TORR Industries, Inc  
[chrisc@torrindustries.com](mailto:chrisc@torrindustries.com)  
530.247.6909

Offices in:  
Melbourne, Australia  
Birmingham, UK  
California, USA

# 140W

## AUTOMATIC BAG FILLER



- NOTE:**
- 1: ELECTRICAL - 120V 1PHASE 20 AMPS
  - 2: COMPRESSED AIR - 10 CFM @ 80 PSI
  - 3: NITROGEN - 5 CFM @ 50 PSI MIN

**PROPRIETARY AND CONFIDENTIAL**  
 THE INFORMATION CONTAINED IN THIS DRAWING IS THE SOLE PROPERTY OF TORR INDUSTRIES. ANY REPRODUCTION IN PART OR AS A WHOLE WITHOUT THE WRITTEN PERMISSION OF TORR INDUSTRIES IS PROHIBITED. PROTECTED BY SEVERAL PATENTS PENDING AND ISSUED.

**TOLERANCE:**  
 XX ± .01  
 XXX ± .005  
 XXXX ± .001  
 ANGLE ± .50 DEG  
 SURFACE √ 63 RMS

DRAWN	CHECKED	NAME	DATE

**MATERIAL:**  
 FINISH:  
 UNLESS OTHERWISE SPECIFIED:  
 DIMENSIONS ARE IN INCHES  
 DO NOT SCALE DRAWING

**COMMENTS:**

<b>TORR Industries</b>	
TITLE: 140 WEB PNEUMATIC - LEAN BOX	
SIZE: <b>A</b>	DWG. NO.: <b>510548</b>
SCALE: 1:32	WEIGHT: <b>A</b>
SHEET 4 OF 6	REV <b>A</b>

For a quote or more info please contact:

**Chris Rutter**  
 TORR Industries, Inc  
 chrisr@torrindustries.com  
 530.247.6909

Offices in:  
 Melbourne, Australia  
 Birmingham, UK  
 California, USA

**TORR**  
 INDUSTRIES